

CASAMBI BESA PIR



The ECOLUX Casambi BESA PIR is a presence and LUX sensor that works on the Casambi Bluetooth mesh lighting control system.

The PIR is compatible with any other Casambi enabled product as well as the Casambi Android and Apple apps.

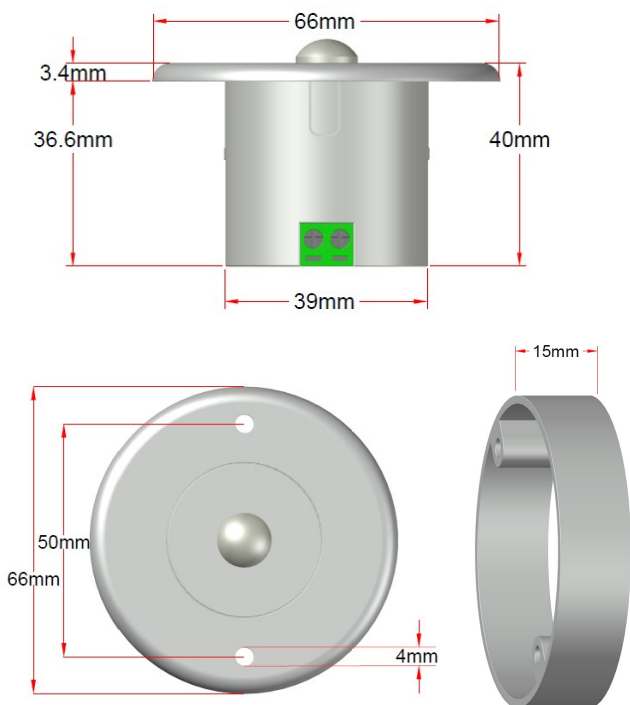
This detector features our Progressive Sensitivity function to eliminate false triggering. There is also an integral lux detector, enabling the sensor to control daylight linking. Daylight linking can be configured either to keep lights off when there is sufficient ambient light, or used as part of a closed loop to maintain a pre-set luminance level in a dimmable system.

The BESA PIR fits with a standard 20mm conduit system with the aid of an extension ring that is supplied with the PIR.

Part Number:
LC-CASOCC-BESA/WH
LC-CASOCC-BESA/Blk

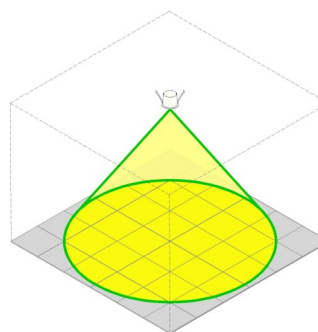


ECOLUX DATASHEET



- Connected via a screw terminal on the rear in a standard mains connection
- Both presence and LUX sensor
- Recommended cable 1.5mm²
- Supplied with Extension ring and 2x M4 25mm screws

Detection Range 6m at 2.8m Ceiling Height



Voltage	110-240Vac
Frequency	50Hz/60Hz
Radio Transceiver	
Operating Frequencies	2.4...2,483 GHz
Max output power	+4dBm
Operating Conditions	
Ambient Temperature	-20...+40°C (Iout0.05 A)
Max Case Temperature	+70°C

Connectors	
Terminal Block wire size	0.5mm ² -2.5mm ² solid or stranded
Wire strip length	6-7mm
Tightening Torque	0,4 Nm/4 Kgf.cm
Max output power	+4dBm
Conformity and Standards	
EMC emission	EN60669-21:2004 inc A12:2010
EMC Immunity	EN60669-2-1:2004 Inc A12:2010
Safety	EN60669-2-1:2004 inc A12:2010
Environment	Complies with WEEE and RoHS Directives

IMPORTANT: Information contained in this datasheet is subject to change at any time without notice. Installation guides are available on our website (www.lightingcontrols.ltd.uk) or call us on 01252 470 027.