

10 PORT DALI CASAMBI WIRELESS LCM 8IP



**Part Number:
LC-CASLCM10/8IP**

Our CASLCM works on the Casambi Bluetooth mesh lighting control system and is based on the Casambi Salvador 16 address module. It can control up to 15 sub address DALI luminaires. It has 10 ports, with each port having a permanent live, an emergency live, which can be switched off for testing, DALI+ and DALI-, Neutral, and Earth.

The emergency test relay can be activated via a hard wired emergency test input for use with a fish key, or over the Casambi network where it will appear on the app as a relay.

The enclosure has been designed for ease of installation with 'Z' bolt fixing rails on the rear. All the connections to the unit can also be pre-wired before installation.

The LCM has a maximum range line of sight of 200m , and 50m indoors. A mesh network technology is utilised whereby each Casambi unit or Casambi Ready Product, also acts as a repeater. Therefore, longer ranges can be achieved by using multiple Casambi Products within the network. The range of a unit is dependant on where it has been installed. I.e. Taking into consideration surrounding obstacles such as walls and other building materials that may block signals.

There are 8 Casambi Switch inputs which can be hard -wired and will appear on the Casambi App.

The CASLCM, like other Casambi product, should not be placed in a metal enclosure or next to large metal structures. Metal will effectively block radio signals which are crucial to the operation of the product.

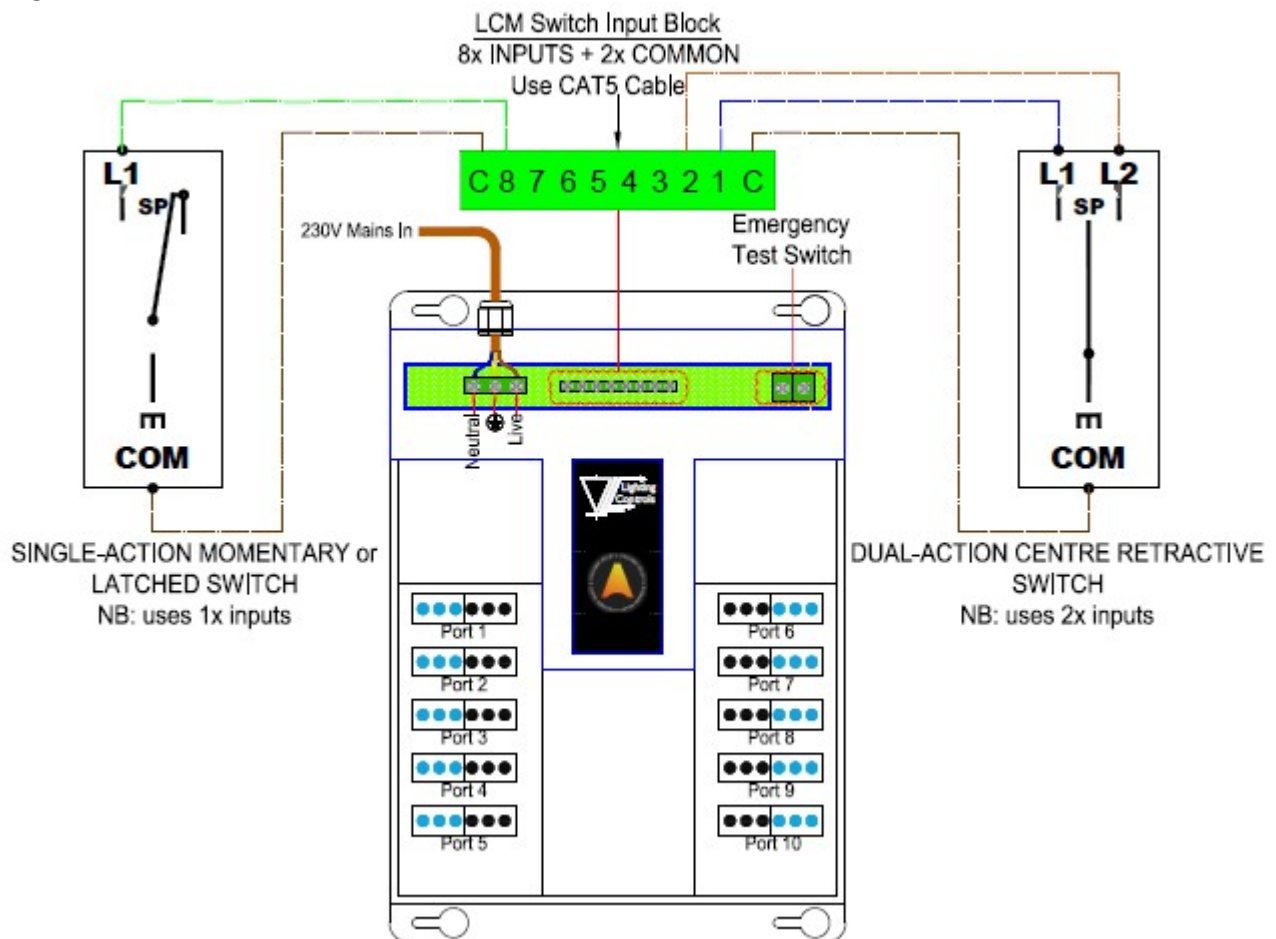
The CASLCM allows the addressing , programming and control of all wired DALI drivers individually from the Casambi App. It enables the creation of hybrid networks consisting of both Casambi Ready and DALI devices. All DALI drivers connected to the CASLCM can be easily programmed and controlled in the same way as Casambi ready devices via the Casambi App. This eliminates the need for a specific DALI controller, complex DALI configuration software, or a DALI specialist.



ECOLUX DATASHEET

- 10 x 6 pole sockets to connect luminaires
- 2 pole input for emergency testing
- The LCM is not powered from the bus and requires a permanent mains supply from the relevant lighting circuit
- Maximum Range Line of sight of 200m and 50m max if obstructed
- Requires 6 pole plugs for luminaire wiring
- 10 pin hardwired connector for 8 volt-free inputs

Wiring

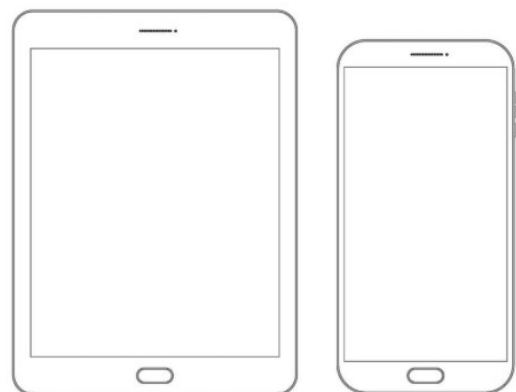


The unit does not permit the discovery and addressing of more DALI drivers than the capabilities of the unit.

This unit is two Casambi Nodes. Each addressed wired DALI driver is also a Casambi node. A Casambi network can contain up to 250 nodes regardless of whether they are wired DALI drivers or Casambi Ready devices.

The CASLCM is compatible with Casambi Evolution networks only

The unit supports the Latest OS versions for Android and IOS and their last two major versions respectively .



Inputs	8 clean contact 1 Emergency
DALI output	15 DALI addresses
Radio transceiver	
Operating Frequencies	2402...2480 MHz
Maximum Power Output	+8 dBm
Luminaire connection	6 way , Live ,Earth, Neutral, Emergency Live, DALI-, DALI +
Degree of Protection	IP20 (indoor use only)

N.B DALI controls, such as switches and sensors, must not be connected to the CASLCM

Supply voltage	90-240 V AC 50Hz
Power consumption	Off load - 1.2 watts All channels on - 4 watts
Internal fuse	1AT
Load (total)	10A
Load per channel	6A
Case material	Flame Retardant ABS
Operating temperature	-10 to +50°C
Max Humidity	90% RH non-condensing

IMPORTANT: Information contained in this datasheet is subject to change at any time without notice.
Installation guides are available on our website (www.lightingcontrols.ltd.uk) or call us on 01252 470 027.