

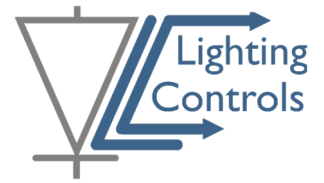
DALI BESA MICRO PIR

The ECOLUX Besa box mounted DALI PIR is a sensor for automatic lighting control which has been specifically designed for mounting within a Besa system. It detects movement using a PIR sensor, which updates the light controller using a DALI interface. When an area is no longer occupied, the device times out after a configurable period.

This detector features our **Progressive Sensitivity function** to eliminate false triggering and can be used as part of a closed loop to maintain a pre-set luminance level in a dimmable system.

The DALIBESAPIR fits discreetly within a standard 20mm conduit system.

Supplied in white, black and a galvanised finish.



Part Number:

LC-DALIBESAPIR2

LC-DALIBESAPIR2/BLK

LC-DALIBESAPIR2/GALV

LC-DALIBESAPIR2/HB

White

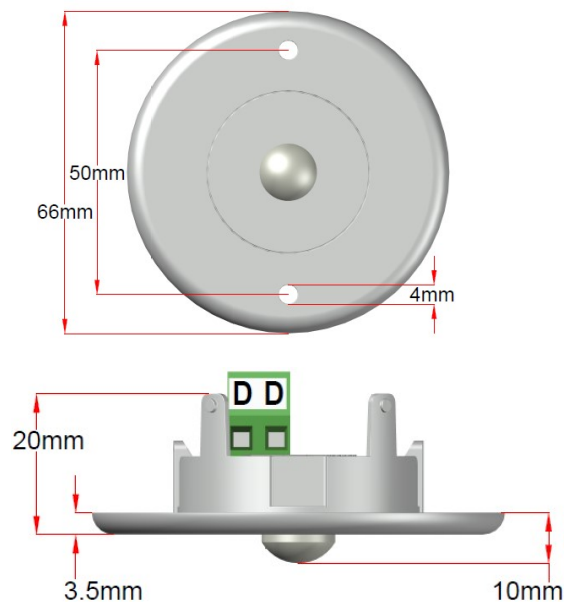
Black

Galvanised

High Bay



ECOLUX DATASHEET

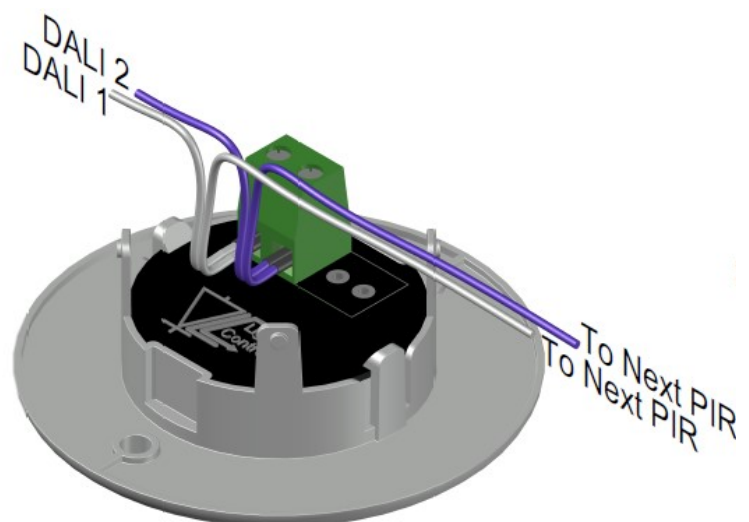


Lux Detector

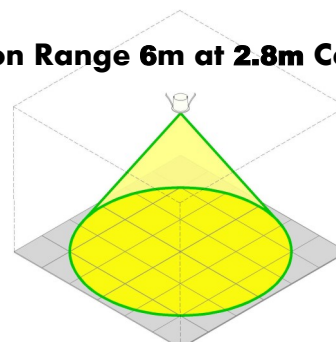
When using the lux detector, an extra DALI address is assigned to the unit. The device ID is randomised during commissioning and there is a visual alert showing when a device has not been addressed. The walk test mode, indicated by a built in LED, assists when configuring the detector.

Supply voltage	10-18 VDC
Power Consumption	120mW
Range	6m at 2.8m Height
Max number of devices	10
Fitting	Besa mounted
Temperature range	-10°C to 35°C
Max humidity	90% CH (non-condensing)

- Connected via screw terminals on the rear in a standard 2 wire configuration
- Powered from the DALI line, with 1.5mm² 2 core cable.



Detection Range 6m at 2.8m Ceiling Height



IMPORTANT: Information contained in this datasheet is subject to change at any time without notice. Installation guides are available on our website (www.lightingcontrols.ltd.uk) or call us on 01252 470 027.