

CASAMBI TRACK MOUNT PIR



The ECOLUX Casambi Track Mounted PIR is a presence and LUX sensor that works on the Casambi Bluetooth mesh lighting control system.

The PIR is compatible with any other Casambi enabled product as well as the Casambi Android and Apple apps.

This detector features our Progressive Sensitivity function to eliminate false triggering. There is also an integral lux detector, enabling the sensor to control daylight linking. Daylight linking can be configured either to keep lights off when there is sufficient ambient light, or used as part of a closed loop to maintain a pre-set luminance level in a dimmable system.

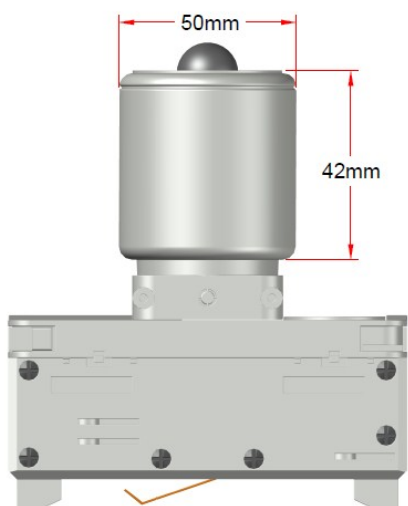
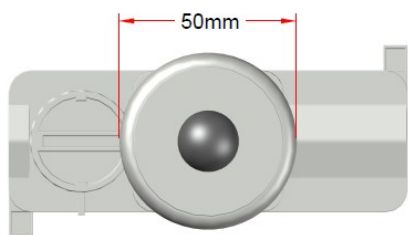
These PIRs are available in white or black and are supplied as standard mountings for Stucchi, Power Gear and Eurotrack.

Other track fittings are available on request.

- Part Numbers:**
LC-CASOCC-Track/ST
LC-CASOCC-Track/ST/BLK
LC-CASOCC-Track/PG
LC-CASOCC-Track/PG/BLK
LC-CASOCC-Track/ET
LC-CASOCC-Track/ET/BLK

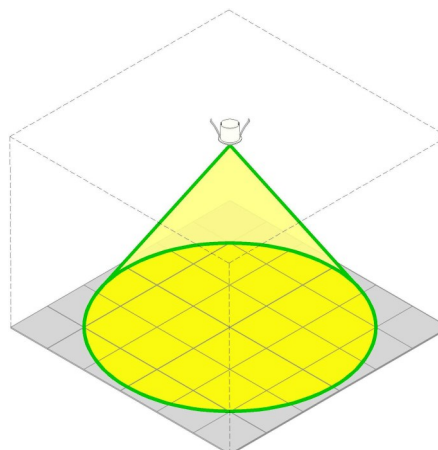


ECOLUX DATASHEET



- Both presence and lux sensor
- Stucchi, Power Gear and Eurotrack mounting as standard .

Detection Range 6m at 2.8m Ceiling Height



Conformity and Standards	
EMC emission	EN60669-21:2004 inc. A12:2010
EMC Immunity	EN60669-2-1:2004 Inc. A12:2010
Safety	EN60669-2-1:2004 inc .A12:2010
Environment	Complies with WEEE and RoHS Directives

Voltage	110-240V AC
Frequency	50Hz/60Hz
Max output power	+4dBm
Radio Transceiver	
Operating Frequencies	2.4...2,483 GHz
Max output power	+4dBm
Operating Conditions	
Ambient Temperature	-20...+40°C (Iout0.05 A)
Max Case Temperature	+70°C

IMPORTANT: Information contained in this datasheet is subject to change at any time without notice. Installation guides are available on our website (www.lightingcontrols.ltd.uk) or call us on 01252 470 027.